

NOTES: UNLESS OTHERWISE SPECIFIED.

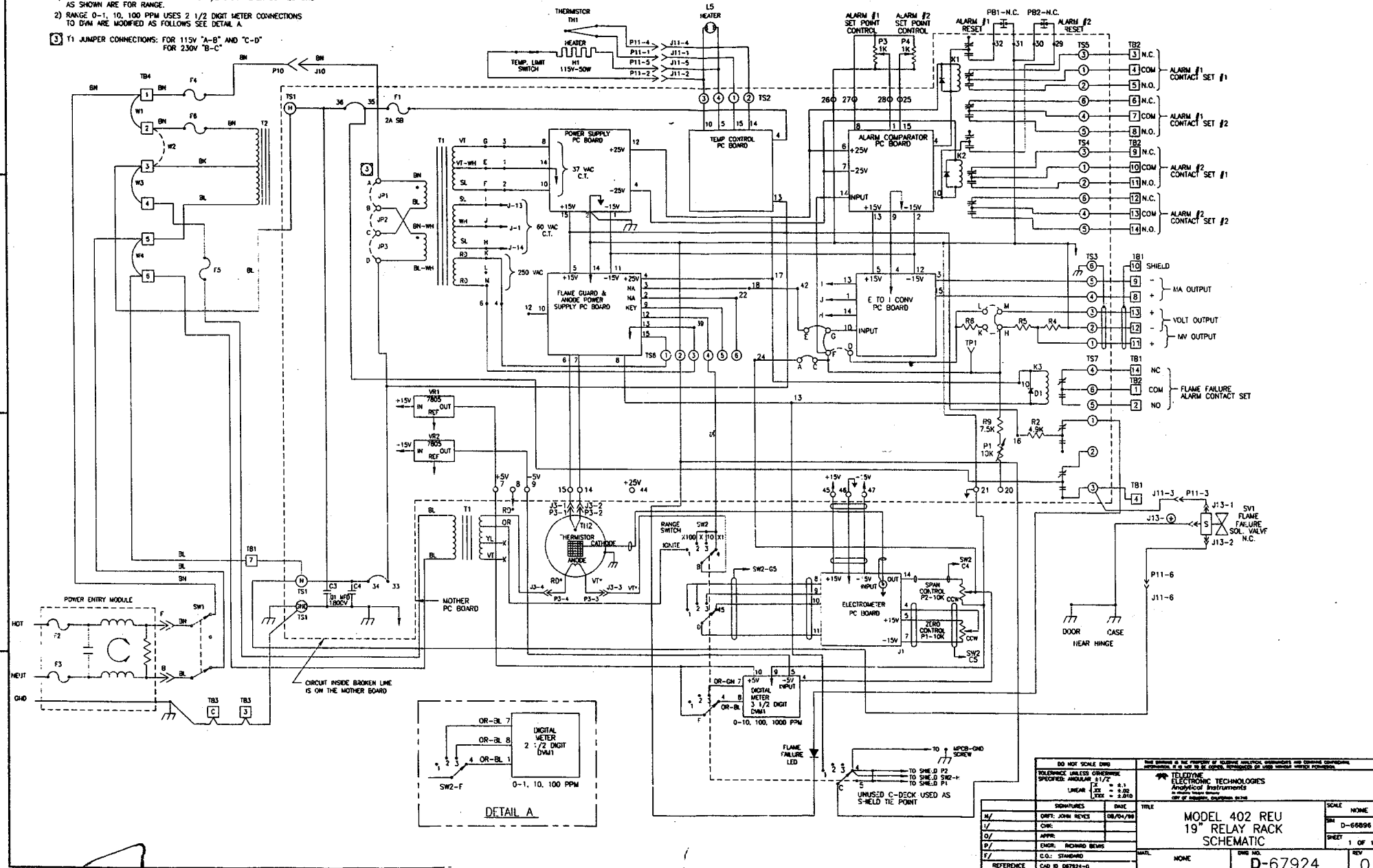
FOR DVM CONNECTIONS:

1) RANGE 0-10, 100, 1000 PPM USES 3 1/2 DIGIT METER CONNECTIONS AS SHOWN ARE FOR RANGE.

2) RANGE 0-1, 10, 100 PPM USES 2 1/2 DIGIT METER CONNECTIONS TO DVM ARE MODIFIED AS FOLLOWS SEE DETAIL A.

3) Y1 JUMPER CONNECTIONS: FOR 115V "A-B" AND "C-D" FOR 230V "B-C"

REV	DESCRIPTION	DATE	APP.	REV. ST.
0	REL PER ECO# 97-0323	04/17/97	RB	--



DO NOT SCALE DIMS		TELETYPE ELECTRONIC TECHNOLOGIES	
TELEPHONE SALES DEPARTMENT		Analytical Instruments	
SPECIFIC MODEL# 411/2		A Division of	
LINEAR	± 0.1%	TELETYPE ELECTRONIC TECHNOLOGIES	
NON-LINEAR	± 0.2%	Analytical Instruments	
RESISTANCE	± 0.1%	A Division of	
CAPACITANCE	± 0.2%	TELETYPE ELECTRONIC TECHNOLOGIES	
DO NOT SCALE DIMS		TELETYPE ELECTRONIC TECHNOLOGIES	
DATE	REV.	TITLE	SCALE
08/20/98		MODEL 402 REU	NONE
DRY: JOHN REYES	CHK:	19" RELAY RACK	D-66896
APPR:	ENGR. RICHARD BEARS	SHEET 1 OF 1	
DATE	C.O. STANDARD	Dwg No. D-67924	
REFERENCE	CAD IS 087824-0	REV	