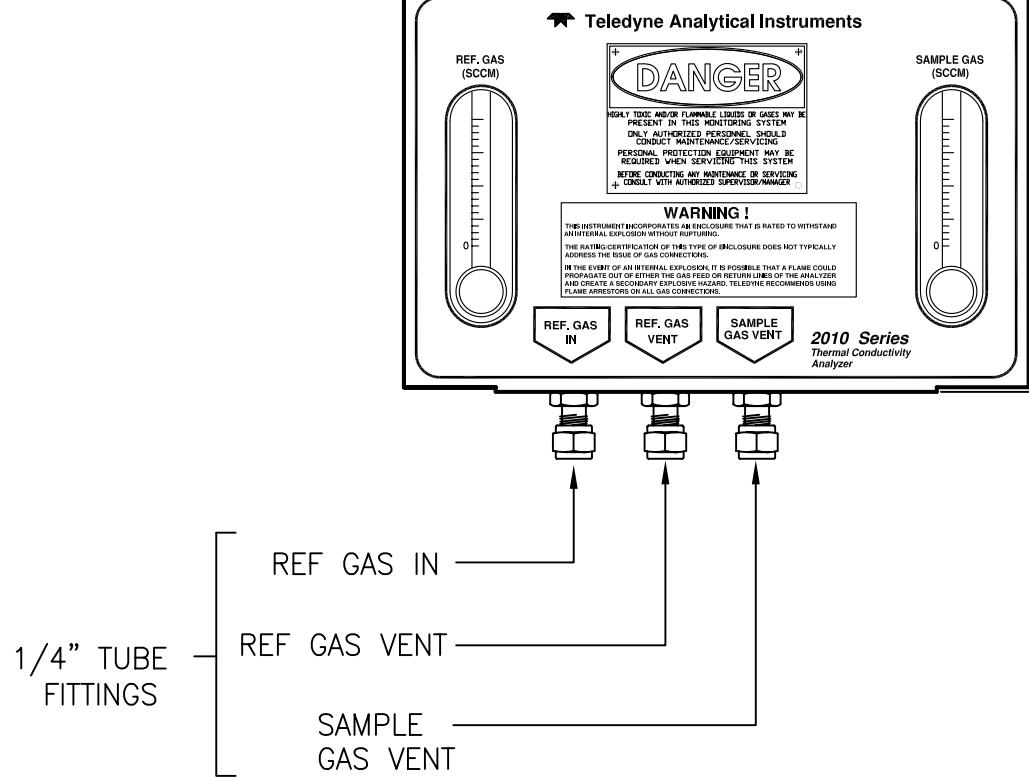
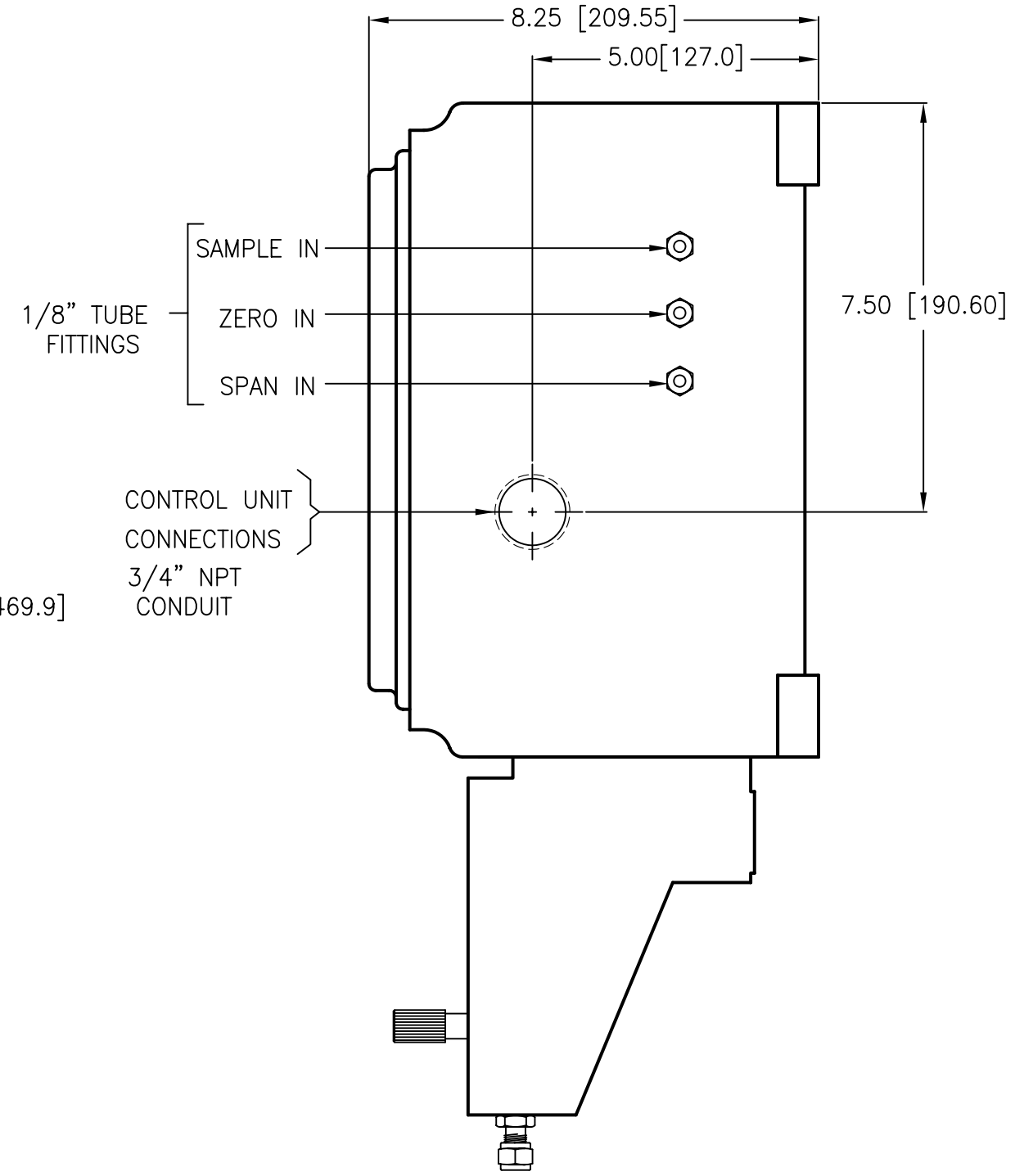
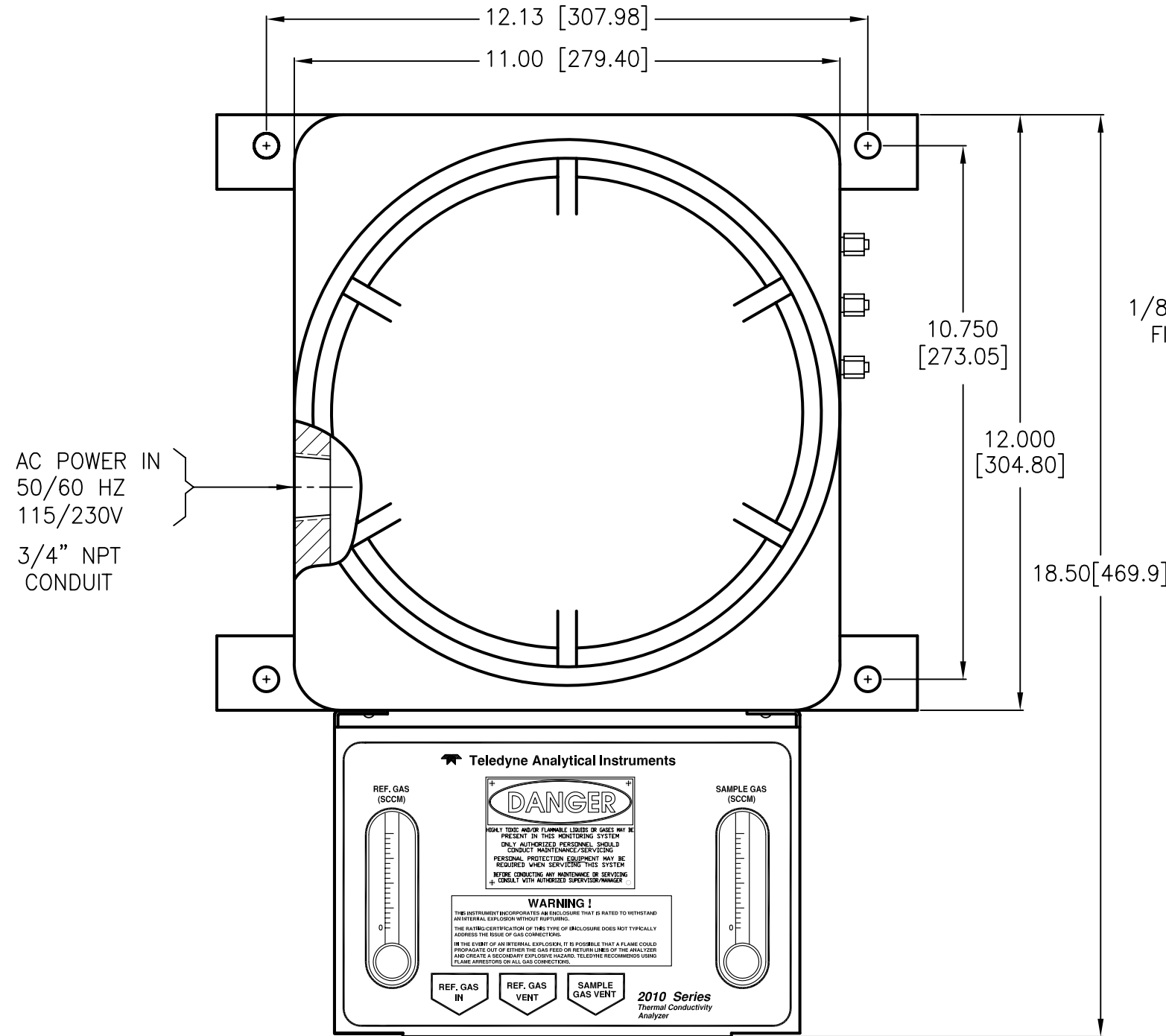


NOTES: UNLESS OTHERWISE SPECIFIED.

1. ALL DIMENSIONS ARE IN INCHES, MILLIMETERS IN PARENTHESIS.

REVISIONS				
REV	DESCRIPTION	DATE	APP.	REV. BY
0	INITIAL RELEASE	10-27-98	KP	R.N.
1	REVISE AND REDRAWN	12/12/98	KFP	--



ITEM	QTY	PART NO.	DESCRIPTION
BILL OF MATERIAL			
DO NOT SCALE DWG		THIS DRAWING IS THE PROPERTY OF TELEDYNE ANALYTICAL INSTRUMENTS AND CONTAINS CONFIDENTIAL INFORMATION. IT IS NOT TO BE COPIED, REPRODUCED OR USED WITHOUT WRITTEN PERMISSION.	
TOLERANCE UNLESS OTHERWISE SPECIFIED: ANGULAR ±1/2"		 Teledyne Analytical Instruments A business unit of Teledyne Electronic Technologies CITY OF INDUSTRY, CALIFORNIA 91748	
LINEAR			
.X = ±.1 .XX = ±.02 .XXX = ±.010			
SIGNATURES		DATE	TITLE
I/	DRFT: R. NEPOMUCENO	10-5-98	SCALE 1:2
N/	CHK:		SIM --
P/ D-70117	APPR:		SHEET 1 OF 1
O/ C-70146	ENGR: R.N.		
F/ D-70147	S.O. 158614		
REFERENCE	CAD ID C70146-1		
MATERIAL		DWG NO.	REV
		C-70146	1