

NOTES: UNLESS OTHERWISE SPECIFIED.

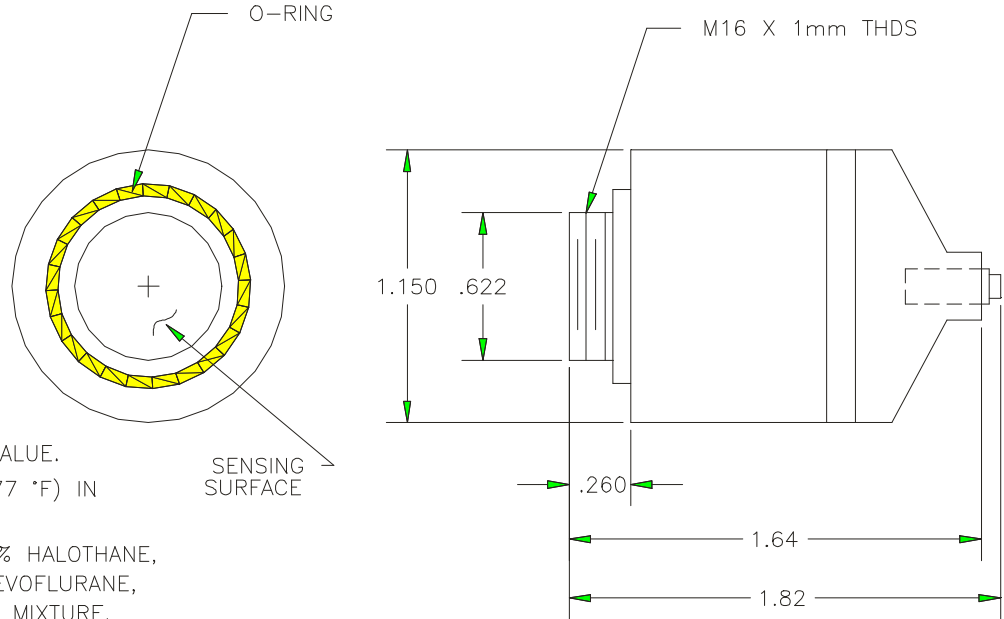
1. LABEL PER CUSTOMER SPECIFICATION
2. CONNECTORS POLARITY :
TIP (CENTER)- NEGATIVE (-)
SLEEVE - POSITIVE (+)
3. TEMPERATURE COMPENSATION ERROR IS $\pm 5\%$ OF FULL SCALE OVER THE OPERATING TEMPERATURE RANGE. WORST CASE TRACKING ERROR (WITHIN THE FIRST HOUR AFTER A MAXIMUM TEMPERATURE STEP) IS $\pm 10\%$ OF FULL SCALE. (GAS SAMPLES MUST BE BROUGHT TO AMBIENT TEMPERATURE) PERCENT READOUT IS ONLY WITHIN $\pm 1\%$ AT CONSTANT PRESSURE (E.G. A 10% INCREASE IN PRESSURE WILL RESULT IN A 10% INCREASE IN READING).
4. ASSEMBLY TO BE PACKAGED IN A GAS BARRIER BAG.
5. ASSEMBLY MANUFACTURED AND TESTED TO MPD-61679.



TYPICAL MATING PLUG SWITCHCRAFT .141" MINIATURE PHONE PLUGS
P/N: 740 (SCREW TERMINAL) OR P/N: 750 (CLAMP-LUG TERMINAL).

SPECIFICATIONS:

- 1) OUTPUT - (7-13MV) IN AIR AT 25 °C, SEA LEVEL
- 2) RANGE - 0-100% OXYGEN.
- 3) ACCURACY - WITHIN $\pm 1\%$ OF FULL SCALE AT CONSTANT TEMPERATURE AND PRESSURE.
- 4) RESPONSE TIME - LESS THAN 6 SECONDS FOR 90% OF FINAL VALUE.
- 5) OFFSET - LESS THAN 0.5% OF OXYGEN EQUIVALENT AT 25 °C (77 °F) IN ZERO GAS AFTER 36 SECONDS.
- 6) CROSS INTERFERENCE - LESS THAN 1.25% O₂ RESPONSE TO: 6% HALOTHANE, 6% ISOFLURANE, 6% ENFLURANE, 7% SEVOFLURANE, 20% DESFLURANE IN 30% O₂/70% N₂ MIXTURE.
- 7) HUMIDITY - 0 TO 99% R.H. (NON-CONDENSING).
- 8) OPERATING TEMPERATURE RANGE - 0 TO 40 °C (32 TO 104 °F)
- 9) STORAGE TEMPERATURE - 0 TO 50 °C (32 TO 122 °F)
- 10) AVG. EXPECTED CELL LIFE - 36 MONTHS IN AIR AT 25 °C AND 50% R.H.
- 11) WEIGHT - 1.1 OZ (31 GRAMS)
- 12) LOAD - 10K REQUIRED



REVISIONS				
REV	DESCRIPTION	DATE	APP.	REV. BY
9	INC. ECO# 96-712	3-11-97	M.G.	VF
10	INC. ECO# 97-0378	5-16-97	M.G.	M.V.

ITEM	QTY	PART No.	DESCRIPTION		
BILL OF MATERIAL					
DO NOT SCALE DWG		THIS DRAWING IS THE PROPERTY OF TELEDYNE ANALYTICAL INSTRUMENTS AND CONTAINS CONFIDENTIAL INFORMATION. IT IS NOT TO BE COPIED, REPRODUCED OR USED WITHOUT WRITTEN PERMISSION.			
TOLERANCE UNLESS OTHERWISE SPECIFIED: ANGULAR $\pm 1/2^\circ$		<p>Teledyne Analytical Instruments A business unit of Teledyne Electronic Technologies CITY OF INDUSTRY, CALIFORNIA 91748</p>			
LINEAR $\begin{cases} .X & = \pm .1 \\ .XX & = \pm .02 \\ .XXX & = \pm .010 \end{cases}$					
S/ SIGNATURES				TITLE	
N/	DRFT: LIXA GARCES	4/28/93	SPEC. CONTROL DWG. OXYGEN SENSOR CLASS R17MED	SCALE NTS	
I/	CHK:			SIM	
P/	APPR: J.M. LAUER	4/3/95		SHEET 1 OF 1	
O/	ENGR: JAY M. LAUER				
F/	S.O.:				
REFERENCE	CAD I.D. B4539810		MATL. -----	DWG NO. B-45398	REV 10