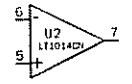
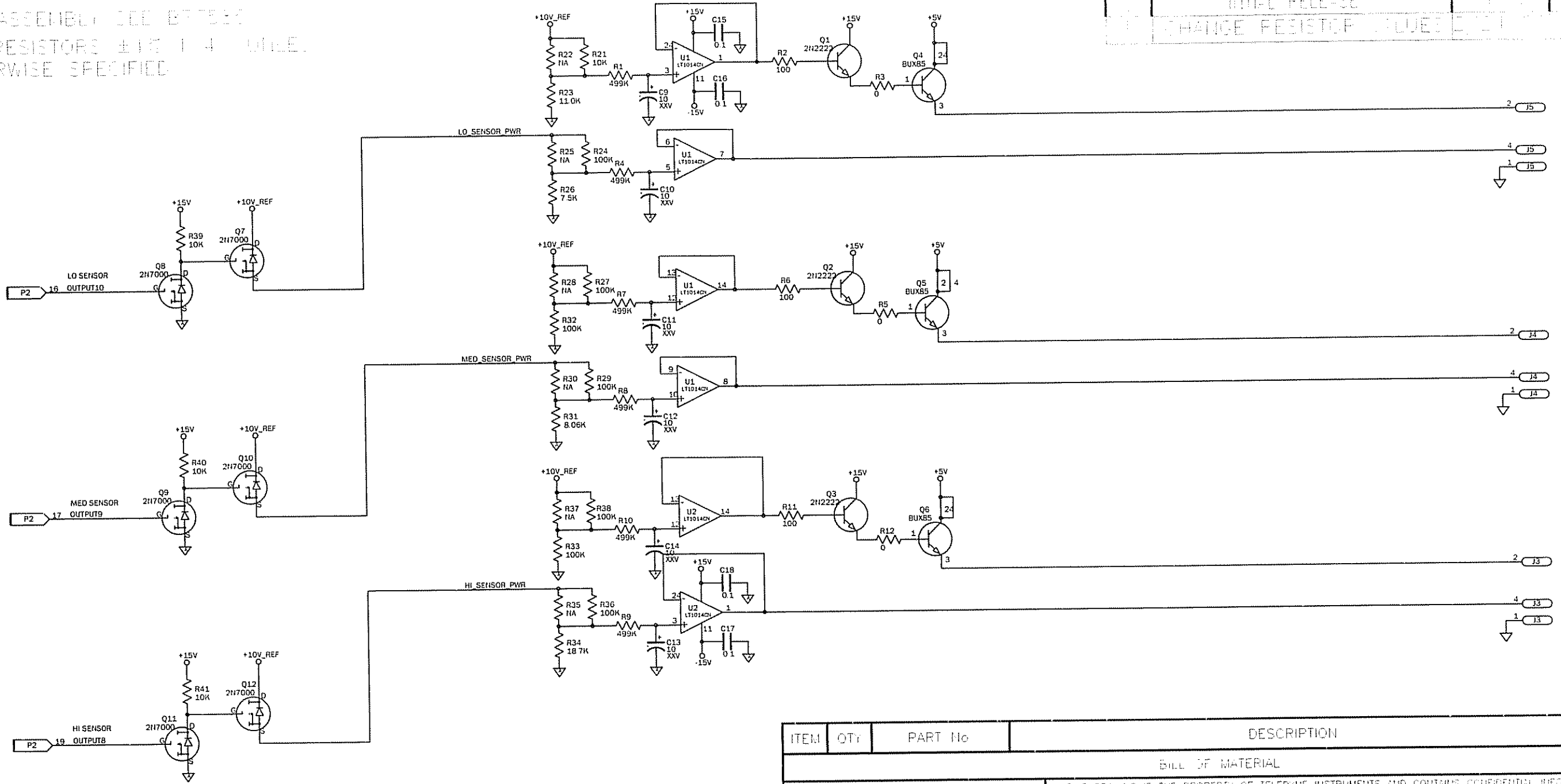


TOLERANCE UNLESS OTHERWISE SPECIFIED
 FOR ASSEMBLY SEE BATTERY
 ALL RESISTORS ±1% UNLESS OTHERWISE SPECIFIED

FEEDBACK				
REV.	DESCRIPTION	DATE	BY	CHK.
1	INITIAL RELEASE			
2	CHANGE RESISTOR VALUES			



ITEM	QTY	PART No	DESCRIPTION
BILL OF MATERIAL			
DO NOT SCALE DWG			THIS DRAWING IS THE PROPERTY OF TELEMETRIC INSTRUMENTS AND CONTAINS CONFIDENTIAL INFORMATION. IT IS NOT TO BE COPIED, REPRODUCED OR USED WITHOUT WRITTEN PERMISSION.
TOLERANCE UNLESS OTHERWISE SPECIFIED: ANGULAR ±1/2°			TELEDYNE INSTRUMENTS Analytical Instruments Teledyne Technologies Company 17000 Westpark Drive, Hawthorne, CA 91742, USA
LINEAR { Y = ±0.1 XX = ±0.01 XXX = ±0.001			
S/	SIGNATURES		DATE
U/	DRFT: R. MILVERSTED		1/17, 05
E/	CHK:		
F/	APP:		
O/	ENGR: ROB MILVERSTED		
F/	C O: 074325		
REFERENCE	CAD ID: B77584-1		
SCHEMATIC DIAGRAM 30003- PREAMP BOARD MULTI-SENSOR			SCALE: NONE SHEET: 1 OF 2
DWG NO: B-77584			REV: 1