

NOTES: UNLESS OTHERWISE SPECIFIED

1. DO NOT GROUND EITHER OUTPUT SIGNAL LEADS. GROUND SHIELD AT ANALYZER ONLY.

POWER AND SIGNAL LEADS SHOULD BE PLACED IN SEPARATE CONDUITS.

2. WIRE RECOMMENDATIONS:

SIGNAL:
22 GA (MIN)
SHIELDED CABLE RECOMMENDED FOR MV SIGNAL ONLY

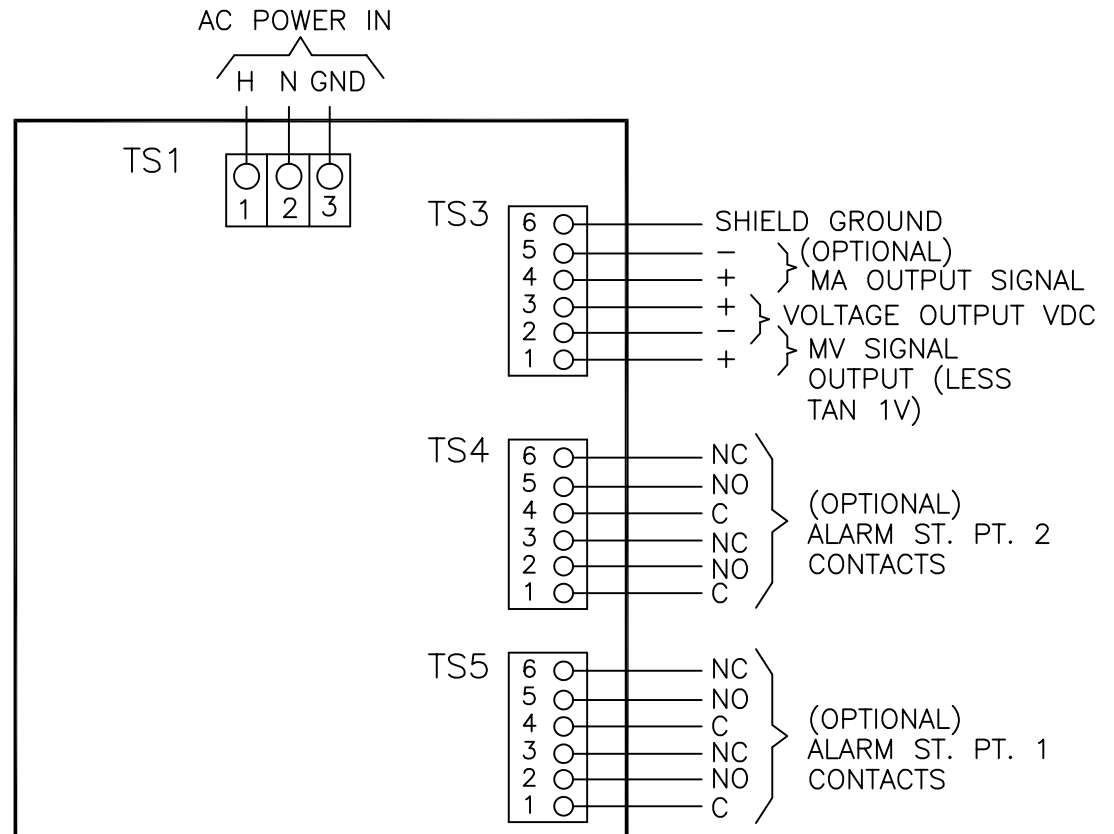
POWER AND GROUND
16 GA (MIN)

ALARM CIRCUITS
16 GA (MIN)

3. ALARM (S)
CONTACT RATING
3 AMPERES AT 250 VAC OR LESS
50/60 HZ RESISTIVE
3 AMPERES AT 28 VDC OR LESS
RESISTIVE

REVISIONS

REV	DESCRIPTION	DATE	APP.	REV. BY
5	INC. ECO# 89-0238	12/14/88	D.S.	--
6	INC. ECO# 94-281	6-3-94	DWH	



ITEM	QTY	PART NO.	DESCRIPTION				
BILL OF MATERIAL							
DO NOT SCALE DWG		THIS DRAWING IS THE PROPERTY OF TELEDYNE INSTRUMENTS AND CONTAINS CONFIDENTIAL INFORMATION. IT IS NOT TO BE COPIED, REPRODUCED OR USED WITHOUT WRITTEN PERMISSION.					
TOLERANCE UNLESS OTHERWISE SPECIFIED: ANGULAR ±1/2°		TELEDYNE INSTRUMENTS <i>Analytical Instruments</i> A Teledyne Technologies Company City of Industry, California, 91748, USA					
LINEAR { <table style="display: inline-table; vertical-align: middle;"> <tr><td>.X</td><td>= ±</td></tr> <tr><td>.XX</td><td>= ±</td></tr> <tr><td>.XXX</td><td>= ±</td></tr> </table>				.X	= ±	.XX	= ±
.X	= ±						
.XX	= ±						
.XXX	= ±						
S/	SIGNATURES		DATE				
N/	DRFT: LIXA GARCES	8/9/93					
P/	CHK:						
I/	APPR:						
F/	ENGR:						
O/	C.O.:						
REFERENCE	CAD I.D. A33140-6						
TITLE			SCALE				
INTERCONNECTION/WIRING DIA.			----				
MODELS 235A, 316R, 318R,			SIM				
326R, 328R, 238			SHEET OF 1				
MATL.		DWG NO.	REV				
		A-33140	6				